

WatchGas XDI-F1

HAZARDOUS AREA GAS DETECTOR

Specification Sheet ref C744

- Explosion proof
- Rugged and reliable
- CANbus / 4~20mA outputs
- Addressable or stand alone
- Optional 2 alarm relays plus fault relay or 3 alarm relays
- Wide range of gas types / sensors
- Hyper terminal communications / RS232 - live data and set up with 232 adapter
- One man calibration
- Data logging



The XDI-F1 Gas Sensor is capable of utilising a wide range of sensor cell types offering an unmatched number of gases that may be monitored. Standard 4~20mA signaling with CANbus address enables the sensors to be networked via the WatchGas Combi control system or customer preferred monitoring systems.

Technical Data

Certification

- Explosion proof ATEX IECEx
- 112G Exd IIC T6-T4 Gb
- 112D Extb IIIC T85°C -T135°C Db

Power Supply

- 18 to 35vDC 24v nominal

Logging

- Addressable sensors only
Intervals - variable time, rollover/stop
Storage - 2,880 readings

Outputs

- 3 wire 4~20mA / 4 wire CANbus
- Optional relays -
Low alarm S.P.C.O
High alarm S.P.C.O
Fault alarm S.P.C.O
Inhibit option during servicing
Rating 0.5A @30vDC

Housing Material

Copper free aluminium alloy, optional stainless steel

Finish

Chemical resistant epoxy paint
RAL 9003 signal white
Optional - Marine grade finish

Sensor Material

Stainless steel 316S16

Ingress Protection

IP64 + water shield IP65
with hydrophobic screen IP66

Cable Entry

2 x M20 - 1.5 pitch - alternatives 25mm - 3/4 NPT

Weight

1.6kg

Temperature

-15°C to +55°C - safe area use
For hazardous area use see temperature ranges on
C1227 (Ex certification summary)

Humidity

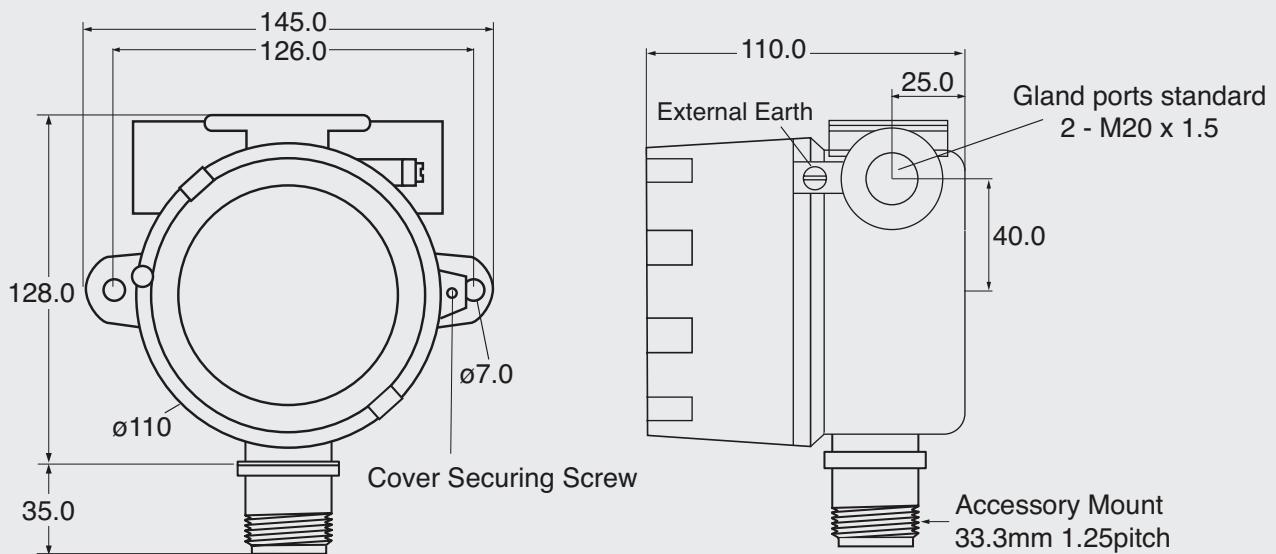
5 to 95% RH non-condensing

EMC

EN 50270

WatchGas XDI-F1

HAZARDOUS AREA GAS DETECTOR



Sensor Type

Infra Red, Electrochemical, Catalytic,
Semiconductor, PID

Gas Type / Range

Flammable gases - LEL / %Vol
Toxic gases - ppm/ppb
Oxygen % vol

Accessories

Collector Cone & Universal Fitting
Universal fitting (Test Gas Applicator/Spray Deflector)
Water Shield - stainless steel
Flow Block - nylatron
Flow Block - stainless steel
Duct Mount Kit
Detector Head Weather Shield
F1 Sensor Thermal Jacket

This document is not contractual and the equipment specification may be modified at any time without prior notice.